

HW 90 B 10 / 12



Static three-wheel roller 10t

- ▶ Two ergonomic driver's seats
- ▶ Hydrostatic traction drive
- ▶ 2 weight classes 10 t - 12 t able to handle 12 t - 14 t
- ▶ Ideal load distribution between front and rear drums
- ▶ Pressured sprinkler system
- ▶ Larger water tank with 400 ltr. - extensive operating time
- ▶ 4-cylinder turbo motor
- ▶ Large number of options



TECHNICAL DATA

HW 90B 10

HW 90B 12

Weights			
Operating weight	kg	10670	12465
Maximum weight	kg	14000	16000
Axle load, front/rear	kg	4090/6580	5115/7350
Static line load, front/rear	kg/cm	37,2/53,9	46,5/60,2
Machine dimensions			
Max. working width	mm	2020	2020
Turning radius, inside	mm	2365	2365
Diesel engine			
Manufacturer		DEUTZ	DEUTZ
Type		BF4L 2011	BF4L 2011
Number of cylinders		4	4
Power rat. DIN/ISO3046IFN kW/HP/rpm		53,5/72,8/2500	53,5/72,8/2500
Power rating SAE J1349, kW/HP/rpm		53,5/71,7/2500	53,5/71,7/2500
Drive			
Hydrostatic drive, front/rear		-/planetary gear	-/planetary gear
Speed, infinitely variable	km/h	0-10,2	0-10,2
Climbing ability, with/no ballast	%	25/40	25/40
Steering			
Steering, type		Pivot steering, front	Pivot steering, front
Steering, actuation		hydrostatic, steer. wheel	hydrostatic, steer. wheel
Steering lock +/-	Grad	40	40
Oscillation angle +/-	Grad	8	8
Brake system			
Service brake, mode of action		hydrostatic	hydrostatic
Service brake, actuation		Drive lever	Drive lever
Parking brake, mode of action		Spring-loaded/mechanical	Spring-loaded/mechanical
Parking brake, actuation		electr. a. autom.	electr. a. autom.
Emergency brake, mode of action		hydr./mech.	hydr./mech.
Emergency brake, actuation		Emergency stop	Emergency stop
Sprinkler system			
Water sprinkler, type		Pressure	Pressure
Actuation, sprinkling		interval/manual	interval/manual
Water tank, capacity	Ltr.	400	400

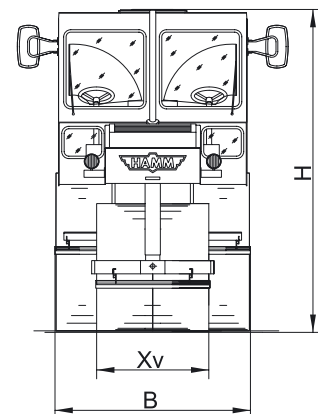
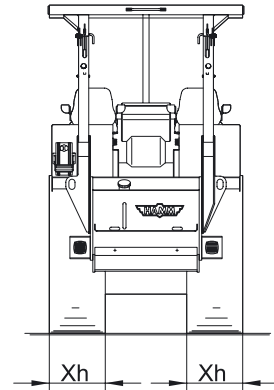
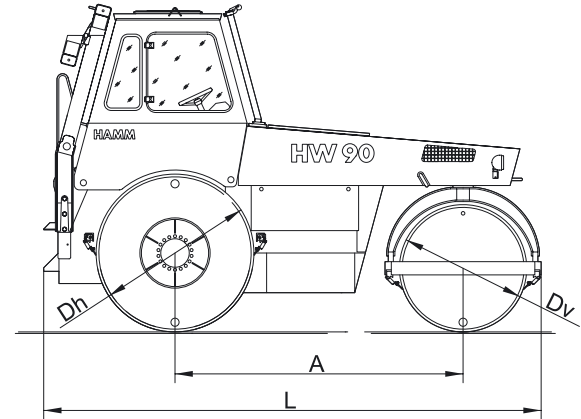
Equipment
Spring suspended driving position. 2 comfort seats. 2 drive levers. Automatic engine starter locking device. Instrument panel with all necessary control instruments incl. hourmeter. Light equipment according to German Road Regulation. CE-conformity.

Optional

Fully isolated comfort ROPS cabin, windshield wiper front and rear, inside mirror, electric fan, sun shades. Heating, flashing beacon, ROPS, safety belt, speedometer, sound insulation, edge pressing and cutting equipment, split rear axle, hydraulic differential lock. Special paint. Coco mats.

Further data on request / subject to change

HW 90B 10 - Static three-wheel roller 10t
HW 90B 12 - Static three-wheel roller 12t



		HW 90B 10	HW 90B 12
Total length	L	4890	4890
Total width	B	2660	2660
Total height	H	3220	3220
Wheel base	A	2830	2830
Drum width, front	Xv	1100	1100
Drum diameter, front	Dv	1250	1250
Drum width, rear	Xh	610	610
Drum diameter, rear	Dh	1550	1550