



BITELLI®

BB 670

PAVER FINISHER



The machine shown can be fitted with optional equipment

ENGINE

Make	Deutz F6L 913
Cylinders	6
Cooling system	air
Output at 2500 rpm (DIN 6271)	89 kW (120 HP)
Electric system	24 V

SPEED

1 st gear (work)	0÷40 m/min
2 nd gear (travel)	0÷10 km/h

SCREED RB 4700 VB

Hydraulically extending screed width	2.50÷4.70 m
with 2 extensions (0.70 m each) (optional)	max 6.10 m
with 2 extensions (1.00 m each) (optional)	max 6.70 m
with 4 extensions (0.70 m each) (optional)	max 7.50 m
LPG heating	8 burners electronically controlled
Tamper vibration frequency	700÷1700 rpm (11.7÷28.3 Hz)
Smoothing plate vibration frequency	1000÷3400 rpm (16.7÷56.7 Hz)

Maximum performances cannot be obtained simultaneously.

TECHNICAL SPECS

Transmission	hydrostatic
Steering bogie wheels	550 x 300 mm
No. 4 drive wheels	14.5-20
Steering	power steering
Turning radius (inside)	7.80 m
Operating weight with RB 4700 VB (CECE reg.)	17800 kg
Hopper capacity (tunnel included)	12 t
Hopper discharge height - at centre	430 mm
at sides	550 mm
Augers	Ø 360 mm

PERFORMANCES

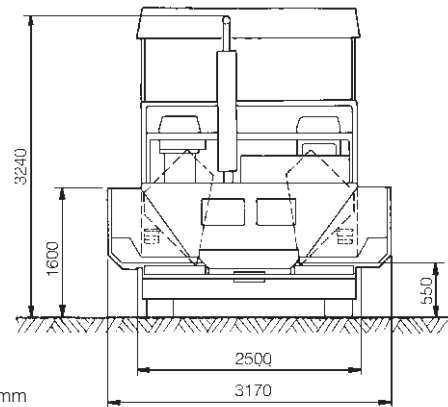
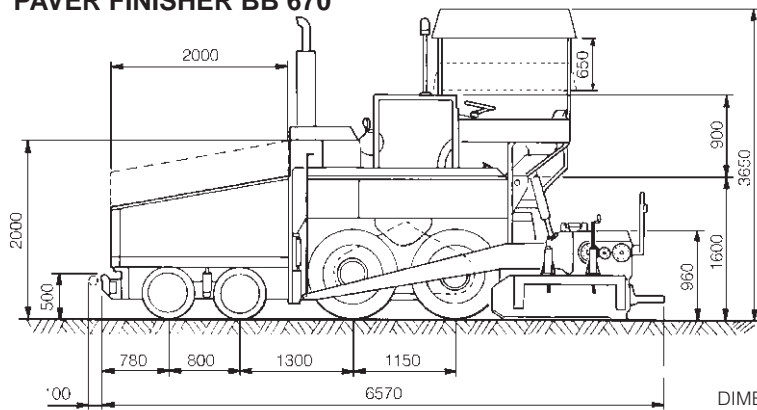
Max production	550 t/h
Mat thickness	5÷350 mm

TANK CAPACITIES

Fuel	150 l
Hydraulic oil	215 l
Ecological liquid	38 l

The machine is also available with RB 5700 VB screed.

PAVER FINISHER BB 670



DIMENSIONS: mm

CARRIAGE: four axle carriage with two front steering axles and two rear drive axles.

Four steering bogie wheels are mounted to the front oscillating axle rocker arms. The four rear drive wheels are also mounted to two oscillating axles.

In travel mode, machine weight is shifted to the drive wheels rear axle by a double acting hydraulic cylinder, electro-hydraulically controlled, for optimum manoeuvrability.

During operation, machine weight is shifted to the drive wheels front axle ensuring optimum tractive performance even on loose base materials.

The effect of the oscillating axle is still effective when the electro-hydraulic device is engaged.

TRANSMISSION: hydrostatic. A variable displacement pump with a fixed displacement axial piston motor is directly splined to a two speed gearbox. Differential lock controlled from the driving position. An electro-proportional servo-control consents machine starting and stopping (for asphalt supply, etc.) with no pre-set working speed variation.

SCREED RB 4700 VB: the screed plate axis allows modifications of shapes (V\A\W\M) with different camber angles between +4.5% and -2.5%.

Tamper and vibrator are operated automatically when the machine advances.

During operation tamper and vibrator frequency is hydraulically controlled and can be individually adjusted by two flow regulators. The screed is equipped with electronic ignition and automatic adjustment of the smoothing plates temperature.

SCREED ASSIST: the screed is equipped with an electro-hydraulic device maintaining a constant screed pressure on the bituminous mix, independently from the mix bearing capacity and the paving width. It is also possible to transfer part of the screed weight to the rear drive axles of the machine, thus increasing machine traction.

BRAKES: the hydrostatic drive acts as the service brake; the safety and parking brakes are mechanical multi-disk brakes with negative hydraulic control.

The safety brake can be applied by pedal from the two operator driving positions while the parking brake is applied by a pushbutton positioned on the dashboard.

DRIVING POSITION AND CONTROLS: fitted with a folding canopy, two adjustable seats and a console panel that can be placed in both driving positions.

The machine is hydraulically controlled and electrically driven by

simple switches. Solenoid valves of the hydraulic system can be manually operated.

HOPPER AND FEEDING SYSTEM: the independent movement of the two side wings is obtained by means of two hydraulic cylinders. The bottom plate of the hopper is built of abrasion-proof steel. Two conveyors, made of wear-resisting steel, are independently controlled.

Material conveyed to both sides is spread by two independently controlled augers.

Rotation speed can be varied automatically to ensure a homogeneous distribution of material before the screed.

Four automatic stop feed devices control the conveyors and augers. Auger height can be adjusted by a hydraulic control. A pair of auger extensions are supplied with the machine.

ELECTRONIC SYSTEM: electronic circuits governing and operating the hydraulic system ensure an exceptional machine self-government allowing the operator to concentrate only on driving.

ELECTRIC SYSTEM: 24 V system with 2 batteries (100 A.h. each). Complete lighting system for work and road circulation.

ON REQUEST:

- Automatic LEVELLING devices:
 - GRADE control - mechanical
 - DIGITAL ULTRASOUND GRADE control - 5 ultrasound sensors
 - COMBINED ULTRASOUND GRADE control - electronic and mechanical
- SLOPE control
- DIGITAL SLOPE control
- LONG SLIDING SKI 6 m for grade control
- AUTO-LEVELLING SKI 6 m for grade control
- MECHANICAL EXTENSION 3 m for auto-levelling ski
- MECHANICAL EXTENSION ELEMENTS with auger extensions, wind bracing for laying widths upto 6.10 m (7.10 m with RB 5700 VB) and electronic ignition kit
- MECHANICAL EXTENSION ELEMENTS with auger extensions, wind bracing for laying widths upto 6.70 m and electronic ignition kit
- MECHANICAL EXTENSION ELEMENTS with auger extensions, wind bracing for laying widths upto 7.50 m and electronic ignition kit
- ROTATING side SCREED BULKHEADS
- REVERSIBLE DIRECTION augers
- Proportional augers speed with ULTRASOUND electronic CONTROL and DRIVE
- TROPICALIZATION system
- BIO-HYDRAULIC OIL



BITELLI®

Via IV Novembre, 2 - 40061 MINERBIO (Bologna) - ITALY
Tel. 051 6607111 / 051 6605066 - Fax 051 6605576

Sales Department:

Fax 051 6604142

E-mail: info@bitelli.it - Home Page: <http://www.bitelli.com>